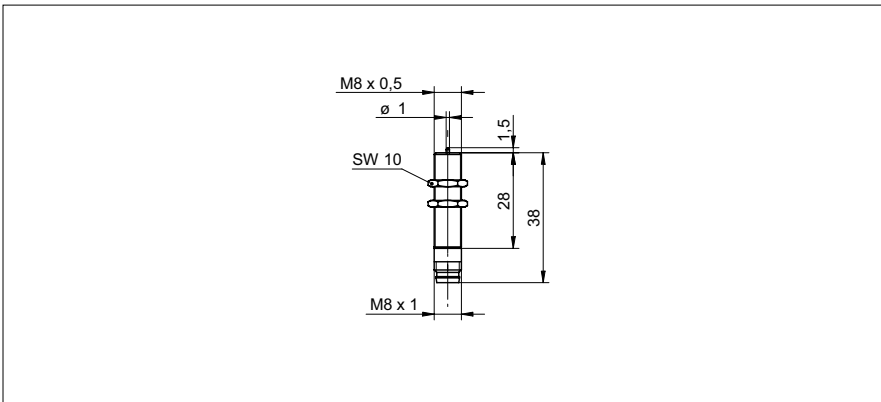


My-Com precision switches

MY-COM F75/S35

dimension drawing



general data

| | |
|-------------------------|---------------------|
| repeat accuracy | < 0,001 mm |
| activating force | 75 cN |
| mech. pre-run / overrun | - / 1,5 mm approx. |
| measurement type | contact with medium |
| direction of approach | frontal |

electrical data

| | |
|-------------------------|--------------------------------|
| DC voltage max. | 15 VDC |
| switch. current DC max. | 2 mA |
| AC voltage max. | 24 VAC |
| switch. current AC max. | 50 mA |
| output circuit | break function (NC) mechanical |

mechanical data

| | |
|------------------|----------------------|
| activating pin | zirconium oxide ZrO2 |
| housing material | brass nickel plated |
| dimension | 8 mm |
| type | cylindrical threaded |
| housing length | 38 mm |
| connection types | connector M8 |

ambient conditions

| | |
|-----------------------|----------------|
| operating temperature | -20 ... +75 °C |
| protection class | IP 50 |

photo



connection diagram

